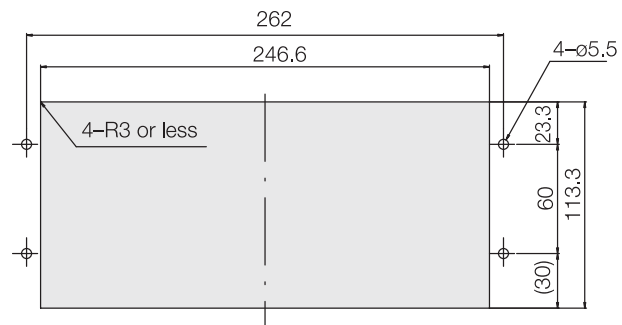
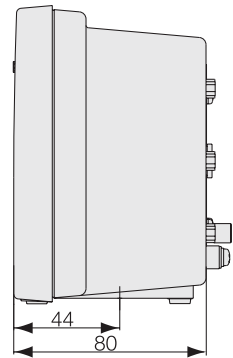
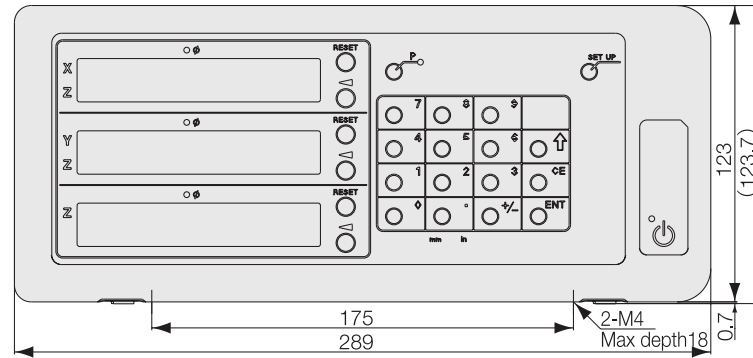
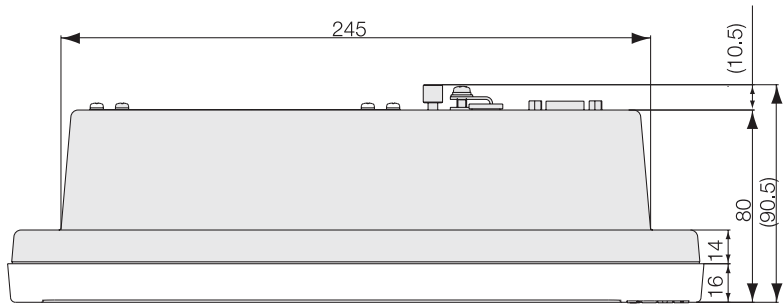
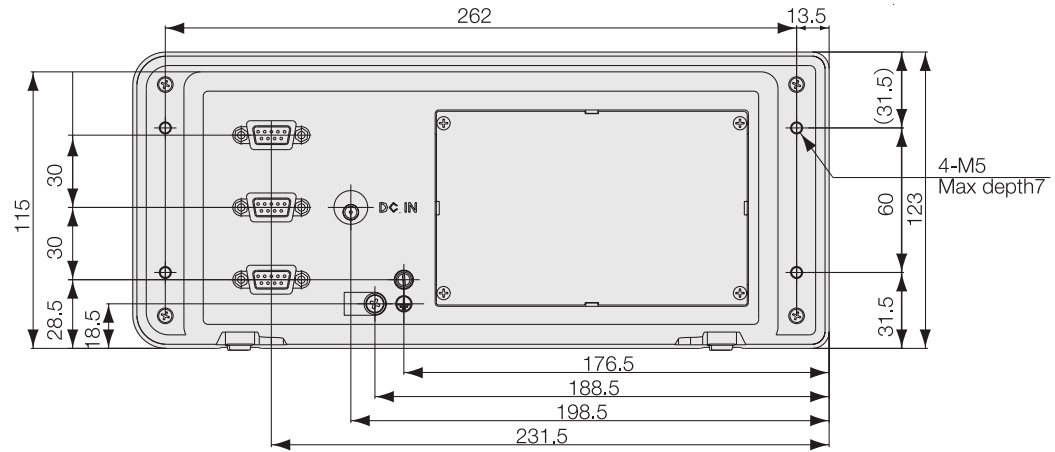


# Dimensions



(Panel cut-out diagram)



Unit : mm