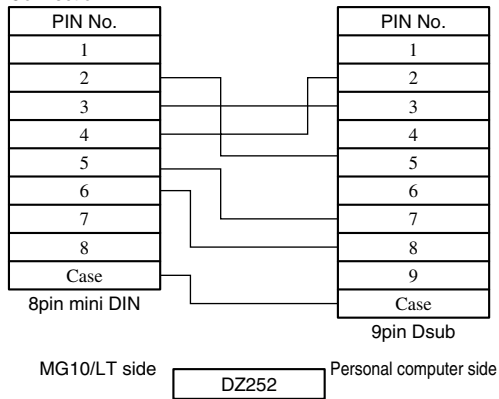


Connection



Host unit side

Pin no.	I/O	Description	Signal
1		N.C	—
2		SG (Signal GND)	SG
3	I	RXD (Receive data)	TXD
4	O	TXD (Transmit data)	RXD
5	I	CTS (Clear to send)	RTS
6	O	RTS (Request to send)	CTS
7		+10 V	DSR
8		N.C	