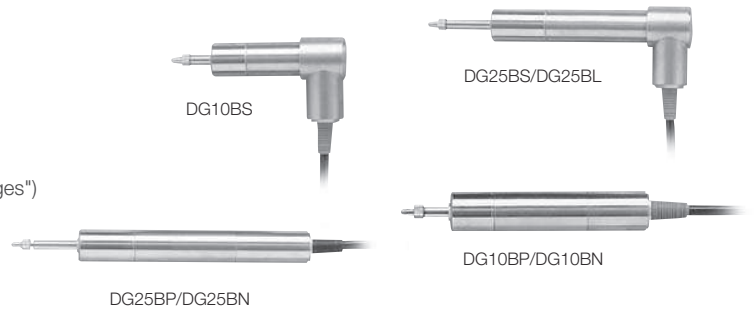
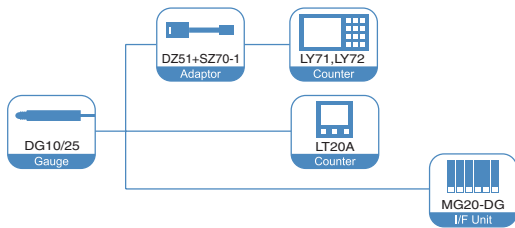


DG

DG10_B, DG25_B

High accuracy, rugged gauges.
Suitable for installation on machines.

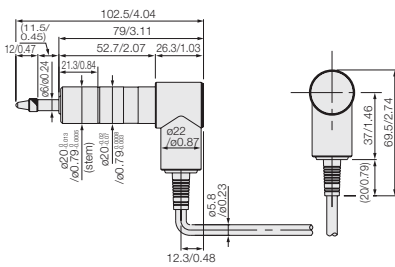
- Excellent resistance to workshop conditions (BP/BS : IP64).
Resistant to oil, water, dust, vibrations, and shocks.
- Accuracy : 2 μm ● Resolution : 0.5 μm
- Measuring range : 10 mm / 0.39" and 25 mm / 0.98"
- High measuring force (BP/BS)
- Low measuring force (BN/BL) ● Easy installation
- A variety of accessories available (See "Accessories for Gauges")



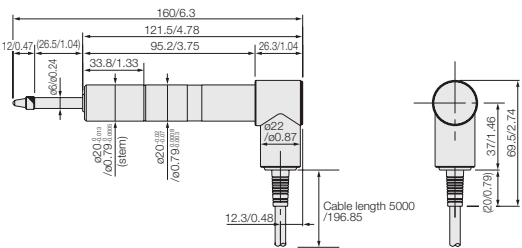
Digital Gauge

Dimensions

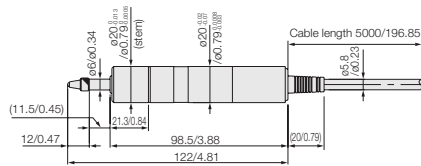
DG10BS



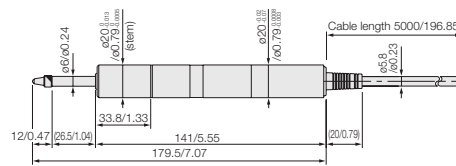
DG25BS/BL



DG10BN/BP



DG25BN/BP



Unit : mm/inch

Specifications

Model	DG10BP BPM / BPE	DG10BS BSM / BSE	DG10BN BNM / BNE	DG25BP BPM / BPE	DG25BS BSM/BSE	DG25BN BNM/BNE	DG25BL BLM/BLE
Type	For Counter, A/B quadrature signal output type (See Page 26)						
Measuring range	10 mm / 0.39"			25 mm / 0.98"			
Resolution	0.5 μm						
Measuring range force	Upward	All direction: 4.9 N or less	0.3 ± 0.25 N		All direction: 4.9 N or less	0.4 ± 0.3 N	
	Lateral		0.6 ± 0.3 N			0.7 ± 0.35 N	
	Downward		0.8 ± 0.35 N			1 ± 0.4 N	
Accuracy (at 20°C / 68°F)	2 μm						
Maximum Response speed	1m/s						
Operating temperature	0 °C to 50 °C / 32 °F to 122 °F (gauge)						
Storage temperature	-20 °C to 60 °C / -4 °F to 140 °F						
Cable length	5 m / 16.4" ± 0.005"						
Mounting stem diameter	φ 20 mm / φ 0.79"						
Feeler	Feeler φ 2.5 mm carbide ball with M2.5p x 0.45 screw on fitting end (DZ-122)						
Protective design grade	Equivalent to IP64		—		Equivalent to IP64		—
Sealing (oil, water, dust)	Oil sealing, O-rings, Y-gaskets		—		Oil sealing, O-rings, Y-gaskets		—
Mass*1	Approx.230 g / 0.507 lbs			Approx.300 g / 0.661 lbs			
Lift lever	—		DZ-161 (option)		—		DZ-161 (option)
Air lifter	DZ174-010 (option) ²			DZ174-025 (option) ²			

*1 excl. cable unit and Interpolator unit.

*2 Tubing for compressed air device can be attached.