

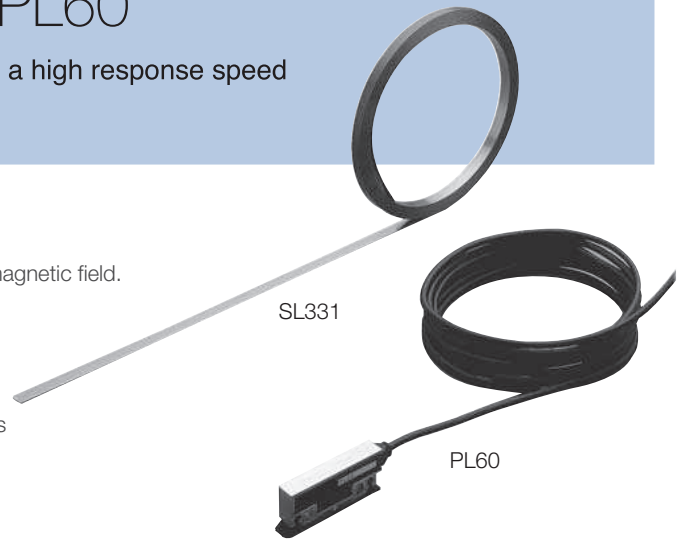
# SL

# SL331 PL60

Magnescape Digiruler

Non-contact, detection and a high response speed

- Magnetic principle
- Excellent resistance to workshop conditions (IP65).  
Resistant to oil, dirt, vibrations and shocks. Read head resistant to external magnetic field.
- Accuracy:  $(15 + 5L/1000) \mu\text{m}$  (L=measuring length in mm)
- Resolution: SL331 with PL60 →  $5 \mu\text{m}, 10 \mu\text{m}$
- High response speed: 250 m/min with a resolution of  $5 \mu\text{m}$
- Measuring lengths of up to 8 m / 314.9"
- Easy installation
- Automatic position control for layout machines and other dedicated machines

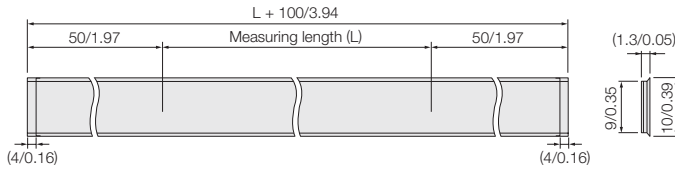


Example for connection

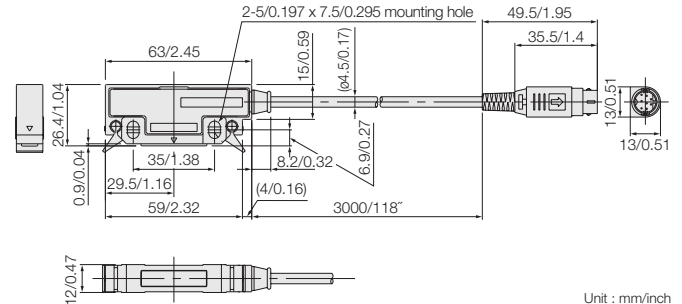
Scale	Head	Cable	Interpolator
SL331	PL60	CE08 CK-T12/13/14/15/16	MJ100/110

## Dimensions

SL331



PL60



Unit : mm/inch

## SL331 Specifications

Model	SL331-20 to SL331-800
Effective length L mm (inch)	200/300/400/500/600/700/800/1000/1200/1500/1600/1700/1800/2000/2500/3000/4000/5000/6000/7000/8000 (7.8/11.8/15.7/19.6/23.6/27.5/31.4/39.3/47.2/59.0/62.9/66.9/70.8/78.7/98.4/118.1/157.4/196.8/236.2/275.5/314.9)
Overall length	L + 100 mm / 3.9"
Accuracy (20 °C / 68 °F)	$(15 + 5L/1000) \mu\text{m}$
Resolution	5 $\mu\text{m}$
Max. response speed	Varies with the resolution
Expansion coefficient	$(10.4 \pm 1) \times 10^{-6}/^{\circ}\text{C}$
Operating temperature	-5 °C to 45 °C / 23 °F to 113 °F
Storage temperature	-10 °C to 50 °C / 14 °F to 122 °F
Compatible read head	PL60

## PL60 Specifications

Model	PL60-3
Head clearance	Max.0.8 mm/ 0.031" (no contact)
Protective design grade	Equivalent to IP65
Operating temperature	-5 °C to 45 °C / 23 °F to 113 °F
Storage temperature	-10 °C to 50 °C / 14 °F to 122 °F
Read head cable length	3 m / 9.8'
Compatible scale	SL331
Compatible interpolator	MJ100/ 110
Extension cable (option)	CE08-01...1m,CE08-03...3m,CE08-05...5m, CE08-10...10m,CE08-15...15m

\*Cable length of more than 15m, Please consult our sales.

## Response speed of PL60

