

GB

GB-ER SERIES (SR138R)

The GB-ER series combines original Magnescale technology and legendary durability with a built-in reference point.

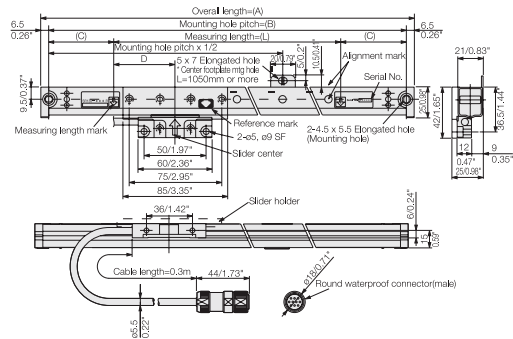
- Excellent durability against workshop conditions - resistant to oil, dirt, shock and vibration.
- Compact design for a space-saving installation.
- Accuracy: (5+5L/1000)µm
- Resolution: 0.5µm



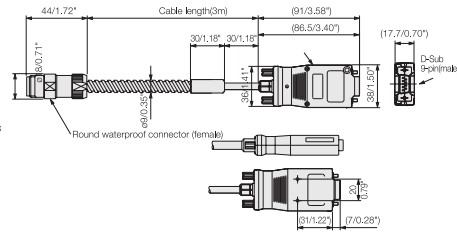
MAGNESCALE®

Dimensions

SR138R (Model name of the scale itself)



CH04 (Model name of accessory cable)

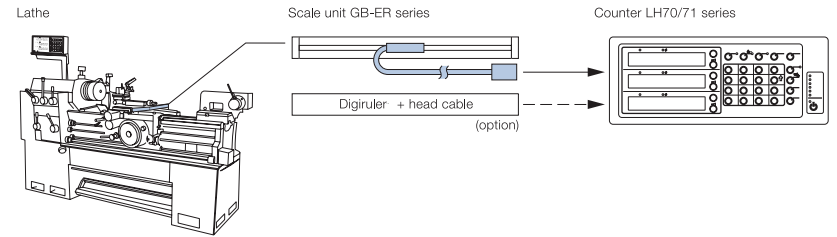
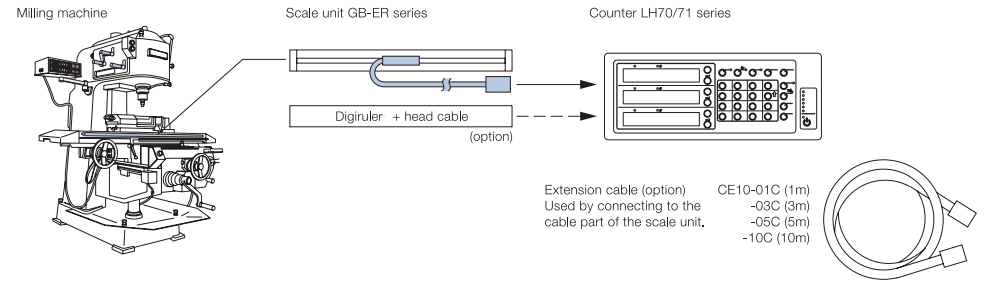


Unit : mm/inch

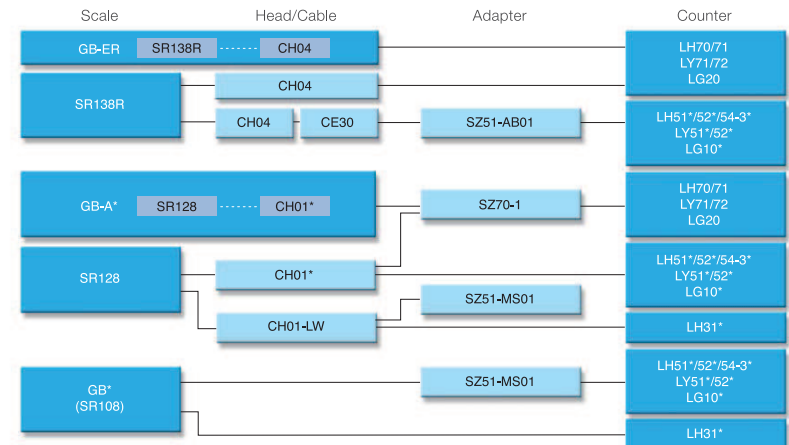
Specifications

Model		GB-ER
Effective length(L)		50/100/150/200/250/300/350/400/450/500/550/600/650/750/850/950/1050/1250/1400/1600/1850/2050/2200 mm
Scale length	Overall length(A)	L + 104mm (50 to 200mm) L + 120mm (250 to 2200mm)
	Max.travel	L + 14mm (50 to 200mm) L + 30mm (250 to 2200mm)
	With or without Centerfootplate	Without (50 to 950mm) With (1050 to 2200mm)
	Mounting hole pitch(B)	L + 91mm(50 to 200mm) L + 107mm (250 to 2200mm)
(C)		45.5mm (50 to 200mm) 53.5mm (250 to 2200mm)
	(D)	L + 1/2 (50 to 250mm) 50mm (300 to 2200mm)
Accuracy at 20°C		(5 + 5L / 1000) µm
Reference point		Standard:Center of scale, User-defined position also available
Mounting parallelism		± 0.1mm
Expansion coefficient		(11±1) × 10 ⁻⁷ /°C
Operating temperature		0 to 40°C
Storage temperature		-20 to 50°C
Head cable length		0.3m
Cable length		3m
Protective design grade		Scale:IP65 Interface unit:IP30
Input/Output signal	Output signal	AB/ quadrature signal, Z signal
	Power supply	DC + 5V ± 5%
	Connector	D-sub 9 pin
Resolution		0.5 µm
Response speed	Scale signal	60m/min
	Reference signal	60m/min
Power consumption		Max. 200mA

System configuration



GB series connection example



Products marked * are to be discontinued