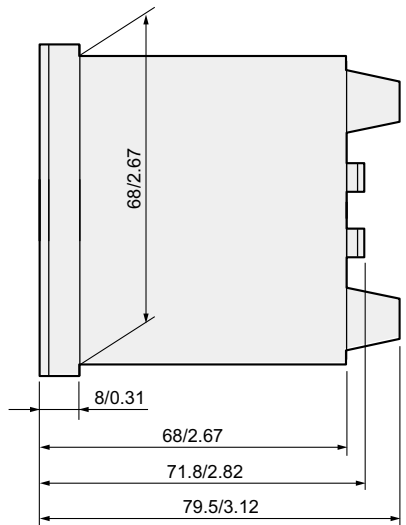
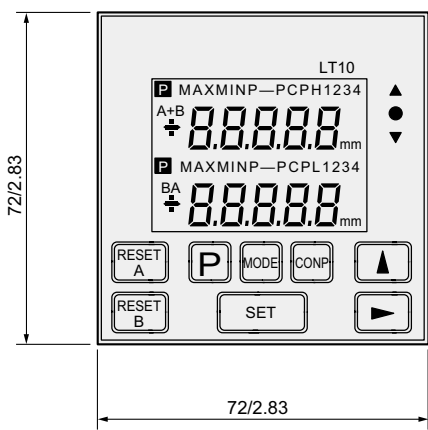
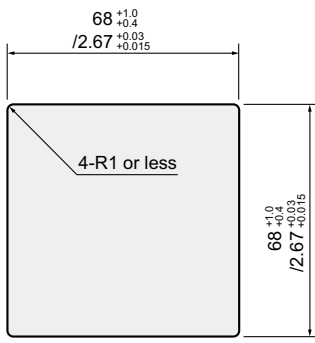


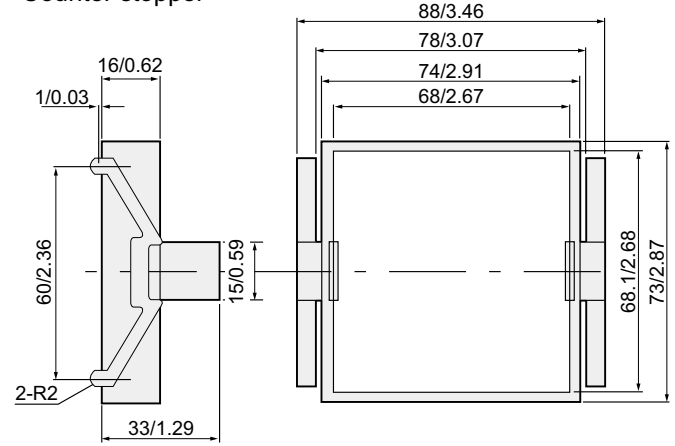
# ■ Dimensions



<Panel cut dimensions>



<Counter stopper>



Unit : mm/inch