

DK805S Series

DK

DK805SAR/DK805SAR5
DK805SBR/DK805SBR5



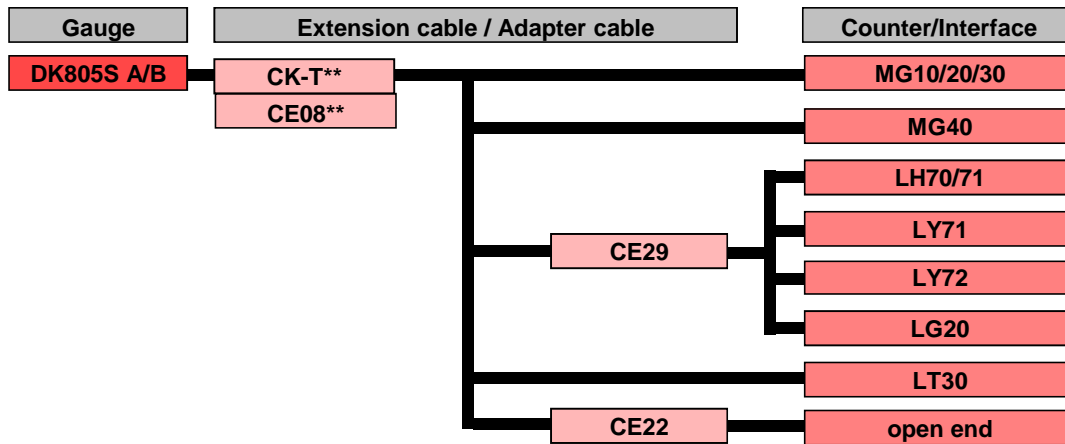
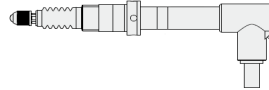
DK805SAFR/DK805SAFR5
DK805SBFR/DK805SBFR5



DK805SALR/DK805SALR5
DK805SBLR/DK805SBLR5



DK805SAFLR/DK805SAFLR5
DK805SBFLR/DK805SBFLR5



Resolution: 0,5µm Accuracy: 1,5µm p-p Max response speed 250m/min Measuring length: 5mm			
Product code	Product	Model	SRP
97929790	DK805SAR5	Straight	692,00 €
97929792	DK805SALR5	Right angel	692,00 €
97929798	DK805SAFR5	Flange / Straight	786,00 €
97929800	DK805SAFLR5	Flange / Right angle	786,00 €

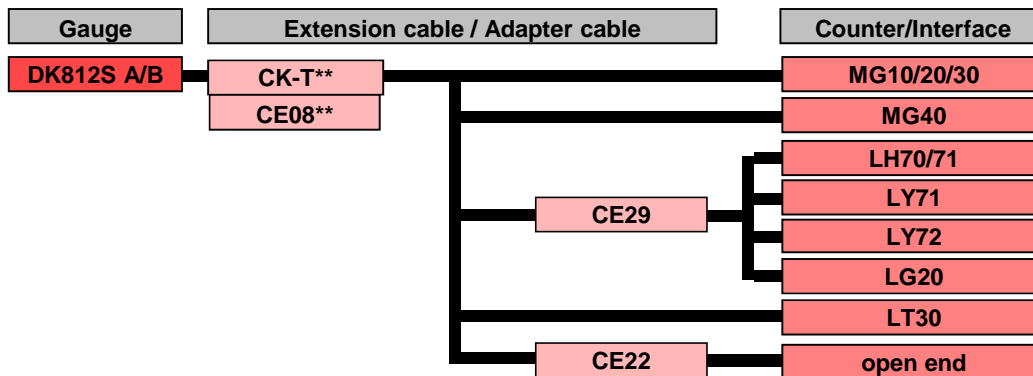
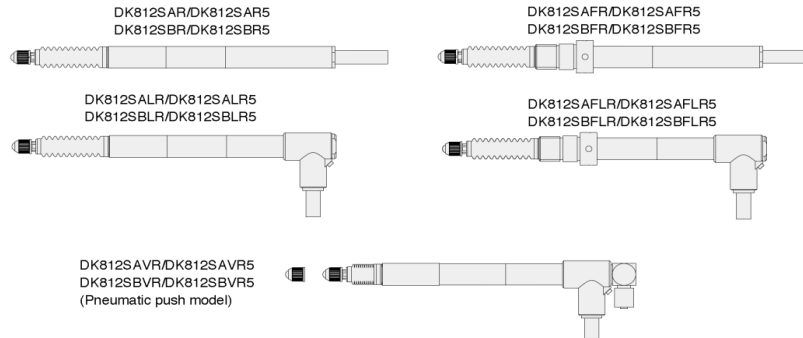
Resolution: 0,5µm Accuracy: 1,5µm p-p Max response speed 100m/min Measuring length: 5mm			
Product code	Product	Model	SRP
97929794	DK805SBR5	Straight	628,00 €
97929796	DK805SBLR5	Right angel	628,00 €
97929802	DK805SBFR5	Flange / Straight	714,00 €
97929804	DK805SBFLR5	Flange / Right angle	714,00 €

Resolution: 0,1µm Accuracy: 1µm p-p Max response speed 80m/min Measuring length: 5mm			
Product code	Product	Model	SRP
97929789	DK805SAR	Straight	896,00 €
97929791	DK805SALR	Right angel	896,00 €
97929797	DK805SAFR	Flange / Straight	957,00 €
97929799	DK805SAFLR	Flange / Right angle	957,00 €

Resolution: 0,1µm Accuracy: 1µm p-p Max response speed 42m/min Measuring length: 5mm			
Product code	Product	Model	SRP
97929793	DK805SBR	Straight	813,00 €
97929795	DK805SBLR	Right angel	813,00 €
97929801	DK805SBFR	Flange / Straight	870,00 €
97929803	DK805SBFLR	Flange / Right angle	870,00 €

DK

DK812S Series

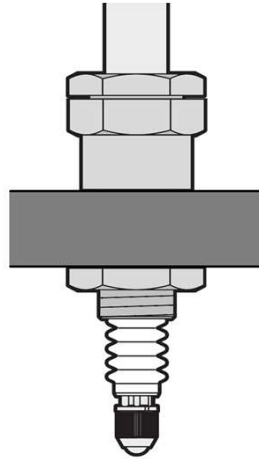


Resolution: 0,5µm Accuracy: 1,5µm p-p Max response speed 250m/min Measuring length: 12mm			
Product code	Product	Model	SRP
97929806	DK812SAR5	Straight	731,00 €
97929808	DK812SALR5	Right angel	748,00 €
97929814	DK812SAFR5	Flange / Straight	824,00 €
97929816	DK812SAFLR5	Flange / Right angle	837,00 €
97929826	DK812SAVR5	Pneumatic push / Right angel	837,00 €

Resolution: 0,5µm Accuracy: 1,5µm p-p Max response speed 100m/min Measuring length: 12mm			
Product code	Product	Model	SRP
97929810	DK812SBR5	Straight	654,00 €
97929812	DK812SBLR5	Right angel	671,00 €
97929818	DK812SBFR5	Flange / Straight	735,00 €
97929820	DK812SBFLR5	Flange / Right angle	747,00 €
97929828	DK812SBVR5	Pneumatic push / Right angel	747,00 €

Resolution: 0,1µm Accuracy: 1µm p-p Max response speed 80m/min Measuring length: 12mm			
Product code	Product	Model	SRP
97929805	DK812SAR	Straight	932,00 €
97929807	DK812SALR	Right angel	952,00 €
97929813	DK812SAFR	Flange / Straight	989,00 €
97929815	DK812SAFLR	Flange / Right angle	1.004,00 €
97929825	DK812SAVR	Pneumatic push / Right angel	1.004,00 €

Resolution: 0,1µm Accuracy: 1µm p-p Max response speed 42m/min Measuring length: 12mm			
Product code	Product	Model	SRP
97929809	DK812SBR	Straight	834,00 €
97929811	DK812SBLR	Right angel	851,00 €
97929817	DK812SBFR	Flange / Straight	885,00 €
97929819	DK812SBFLR	Flange / Right angle	898,00 €
97929827	DK812SBVR	Pneumatic push / Right angel	898,00 €



DZ812F

Option for DK812S

Product code	Product	Model	SRP
97929992	DZ812F	Flange adapter for DK812S	70,00 €

- DK805S□R□
- DK805S□LR□
- DK805S□FR□
- DK805S□FLR□
- DK812S□R□
- DK812S□LR□
- DK812S□FR□
- DK812S□FLR□
- DK812S□VR□

Pulse width	Symbol	Resolution	Symbol
50ns(Standard)	A	0.1 μm (Standard)	Blank
100ns(Standard)	B	0.5 μm (Standard)	5
300ns	C	1 μm	10
500ns	D	2 μm	20
200ns	E	5 μm	50
		10 μm	A, *2

*Combination described below can be ordered.

		Max. response speed(m/min)				
		5.0MHz	2.5MHz	1.25MHz	0.8MHz	0.5MHz
A/B output signal frequency		50ns	100ns	200ns	300ns	500ns
Min. phase difference of A/B signal		50ns	100ns	200ns	300ns	500ns
Resolution	0.1 μm	80(Standard)	42(Standard)	/	/	/
	0.5 μm	250(standard)	100(Standard)	60	33	20
	1 μm	/	200	120	66	40
	2 μm	/	/	200	/	/
	5 μm	/	/	250	/	/
	10 μm	/	/	250, *2	/	/

*2 The reference signal of 10μm model is not output.

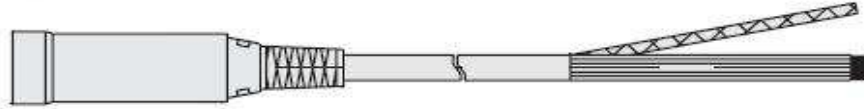
DK

Cable for DK Series

CE08-**
CK-T**



CE22-**



Product code	Product	Model	SRP
97924996	CK-T12	Extension cable (1m); High-flex cable	72,00 €
97924997	CK-T13	Extension cable (3m); High-flex cable	92,00 €
97924998	CK-T14	Extension cable (5m); High-flex cable	114,00 €
97924999	CK-T15	Extension cable (10m); High-flex cable	164,00 €
97930000	CK-T16	Extension cable (15m); High-flex cable	300,00 €

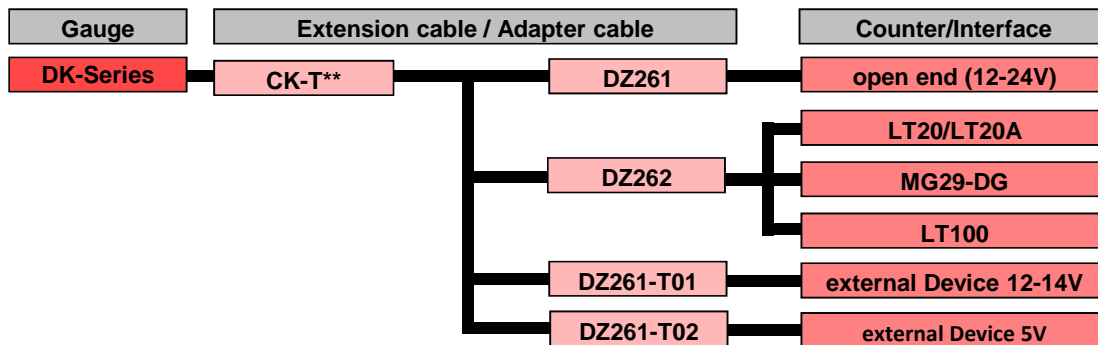
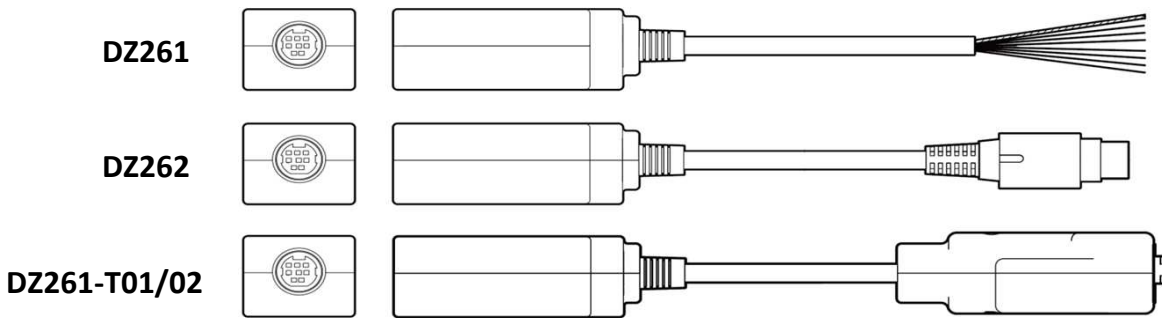
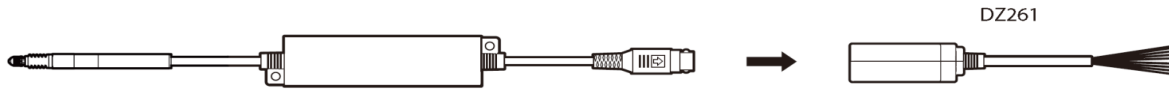
Product code	Product	Model	SRP
97958805	CE08-01	Extension cable 1m (It is not suitable to use of moving parts)	49,00 €
97958801	CE08-03	Extension cable 3m (It is not suitable to use of moving parts)	68,00 €
97958802	CE08-05	Extension cable 5m (It is not suitable to use of moving parts)	89,00 €
97958803	CE08-10	Extension cable 10m (It is not suitable to use of moving parts)	139,00 €
97958804	CE08-15	Extension cable 15m (It is not suitable to use of moving parts)	188,00 €

Product code	Product	Model	SRP
97928116	CE22-01	Extension cable with open end (1m); High-flex cable	60,00 €
97928117	CE22-03	Extension cable with open end (3m); High-flex cable	74,00 €
97928118	CE22-05	Extension cable with open end (5m); High-flex cable	91,00 €
97928119	CE22-10	Extension cable with open end (10m); High-flex cable	131,00 €

Product code	Product	Model	SRP
97928696	CE29-003	Adapter cable (0.3m) to connect to LH70/71 LY71/72 LG20	67,00 €
97928697	CE29-01	Adapter cable (1m) to connect to LH70/71 LY71/72 LG20	67,00 €
97928698	CE29-03	Adapter cable (3m) to connect to LH70/71 LY71/72 LG20	81,00 €
97928699	CE29-05	Adapter cable (5m) to connect to LH70/71 LY71/72 LG20	101,00 €
97928700	CE29-10	Adapter cable (10m) to connect to LH70/71 LY71/72 LG20	133,00 €

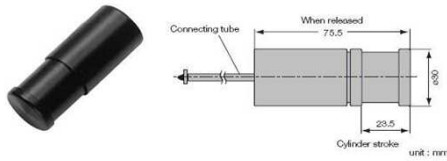
DZ261/262/261-T01/261-T02

DK

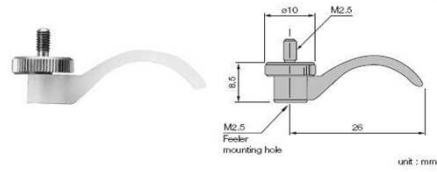


Product code	Product	Model	SRP
97929824	DZ261	12V-24V Power adpater for DK with open end cable	77,00 €
97929823	DZ262	Adapter to replace DG-B to LT20/DZ51	86,00 €
97980072	DZ261-T01	Adapter to replace DG-E	107,00 €
97980073	DZ261-T02	Adapter to replace DG-M	107,00 €

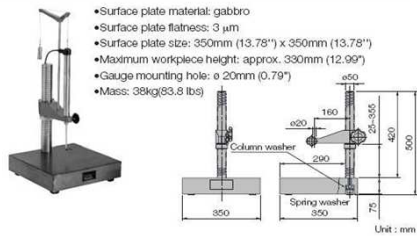
DZ-801 Air lifter (for DG805BL/810BL)



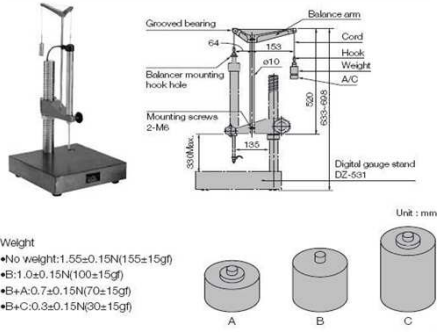
DZ-161 Lift lever (for DG-B except DG155BP/205BP; standard accessory for the DG110B)



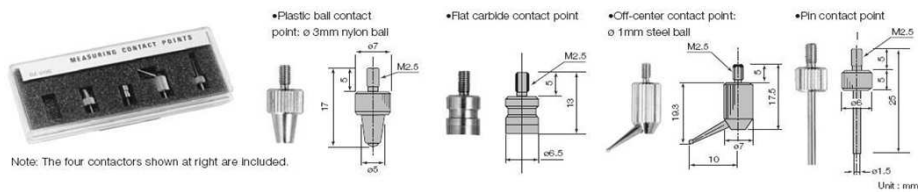
DZ-531 Digital gauging stand (for DK110, DG110B)



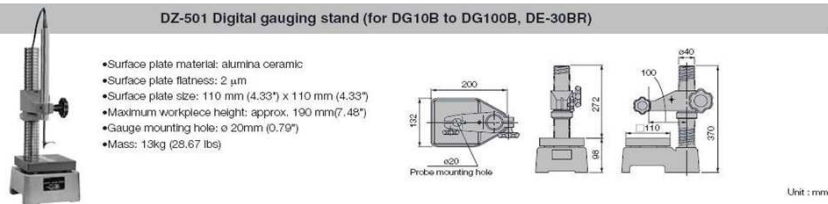
DZ-581 Measuring force balancer (for DK110, DG110B)



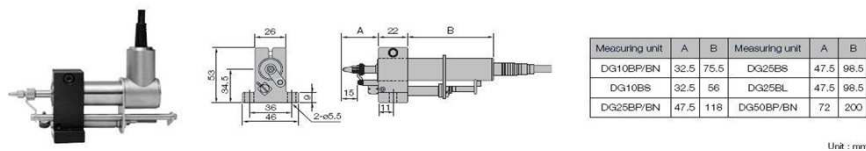
DZ-5100 Feeler set



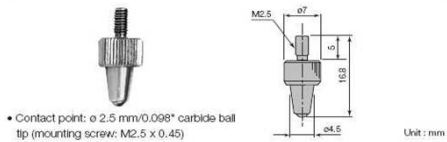
DZ-501 Digital gauging stand (for DG10B to DG100B, DE-30BR)



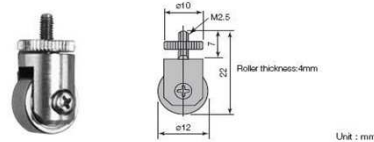
DZ174-010/025/050 Air lifter (for DG10B to DG50B)



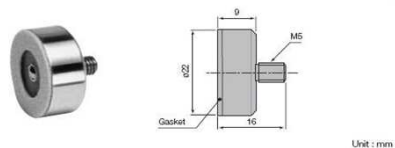
DZ-122 Feeler (for DG10B to DG50B)



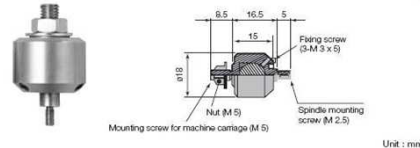
DZ-100 Roller feeler (for DT Series, DG-B Series: except for DG155BP/205BP)



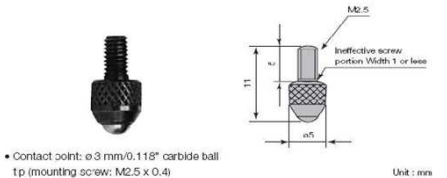
DZ-181 Magnetic contact point feeler (for DG155BP/205BP)



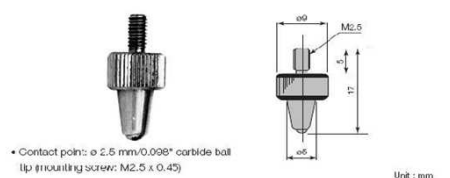
DZ-191 Coupling



DZ-123 Feeler (for DK Series, DG805BL/810B/810BL)

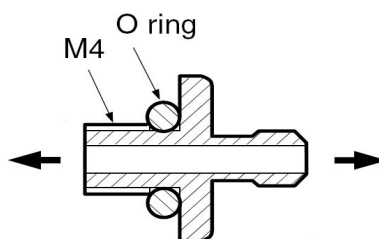


DZ-121 Feeler (for DK100, DG100BP/BN)



Product code	Product	Type	SRP
97967101	DZ51	Replay adapter	46,00 €
97993210	DZ100	Roller feeler	66,00 €
97993212	DZ-122	Feeler	29,00 €
97993213	DZ-123	Feeler	26,00 €
97922022	DZ-161	Lift lever	56,00 €
97922041	DZ174-010	Air lifter	346,00 €
97922042	DZ174-025	Air lifter	346,00 €
97922043	DZ174-050	Air lifter	346,00 €
97922020	DZ181	Magnetic contact point feeler	159,00 €
97922013	DZ191	Coupling	114,00 €
97922010	DZ501	Gauge stand with 20mm stem and long measuring lengths	1.462,00 €
97993254	DZ811	Bushing to use gauge with 8mm stem with DZ501 stand	20,00 €
97922025	DZ521	Gauge stand with 8mm stem and short measuring lengths	487,00 €
97922011	DZ531	Digital gauging stand for DG/DK110	2.199,00 €
97922014	DZ581	Measuring force balancer for DG/DK110	517,00 €
97993253	DZ801	Air lifter	147,00 €
97922012	DZ5100	Feeler set	182,00 €

Airlifter Fitting



Product code	Product	Type	
000931714	Fitting-D01 Set	Airlifter Fitting for Vacuum use (DK805/812) only right angle type	on request