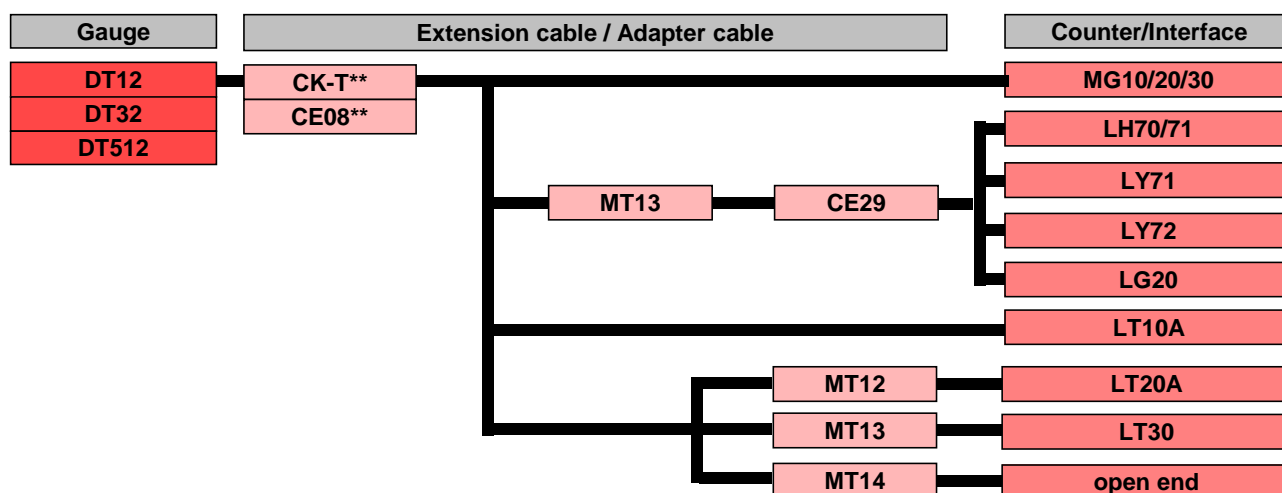
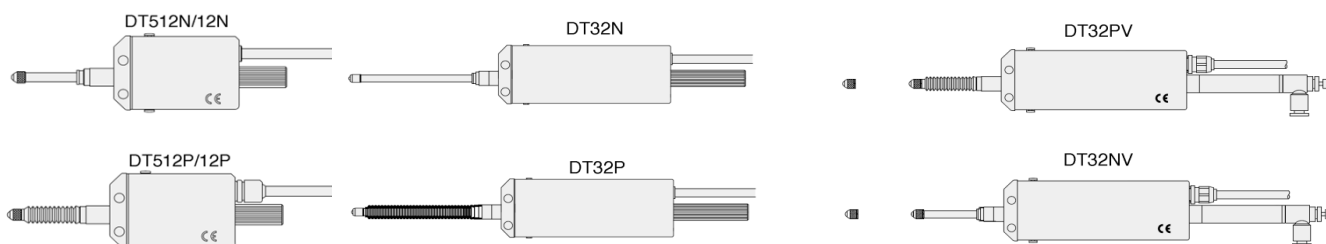


# DT12/32/512 Series

# DT



Resolution: 5µm Accuracy: 10µm p-p Measuring length: 12mm			
Product code	Product	Model	SRP
97959101	DT12N	without bellow	242,00 €
97959201	DT12P	with bellow	283,00 €

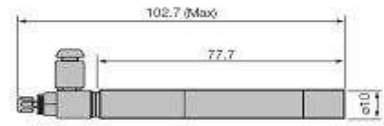
Resolution: 5µm Accuracy: 10µm p-p Measuring length: 32mm			
Product code	Product	Model	SRP
97978002	DT32N	without bellow	424,00 €
97978003	DT32P	with bellow	471,00 €
97978004	DT32NV	without bellow / push type	530,00 €
97978005	DT32PV	with bellow / push type	578,00 €

Resolution: 1µm Accuracy: 6µm p-p Measuring length: 12mm			
Product code	Product	Model	SRP
97963701	DT512N	without bellow	300,00 €
97963601	DT512P	with bellow	355,00 €

### DZ176 Air lifter (for DT)

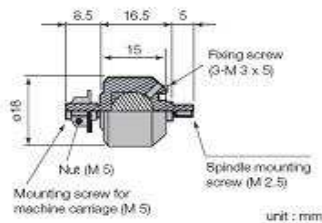


- Measuring range: 0 to 12 mm
- Can be used for DT12/512P/N
- Air pressure: 250 to 700 kPa (25,48 to 69,58 N/ cm<sup>2</sup>)
- Operating temperature: 0 to 50°C
- Storage temperature: -10 to 60°C
- Mass: 41g (incl. speed controller)
- Service life: 5 million times
- Supplied accessories: Mounting jig, speed controller (SMC: AS1211F-M5-04)



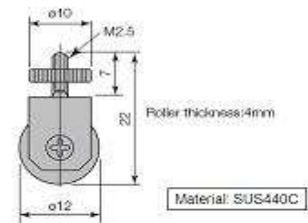
unit : mm

### DZ-191 Coupling



unit : mm

### DZ-100 Roller feeler (for DT Series, DG-B Series: except for DG155BP/205BP)



Material: SUS440C

Product code	Product	Type	SRP
97993210	DZ100	Roller feeler	66,00 €
97962401	DT176	Air lifter for DT12/DT512	206,00 €
97922013	DZ191	Coupling	114,00 €

CE08-\*\*  
CK-T\*\*

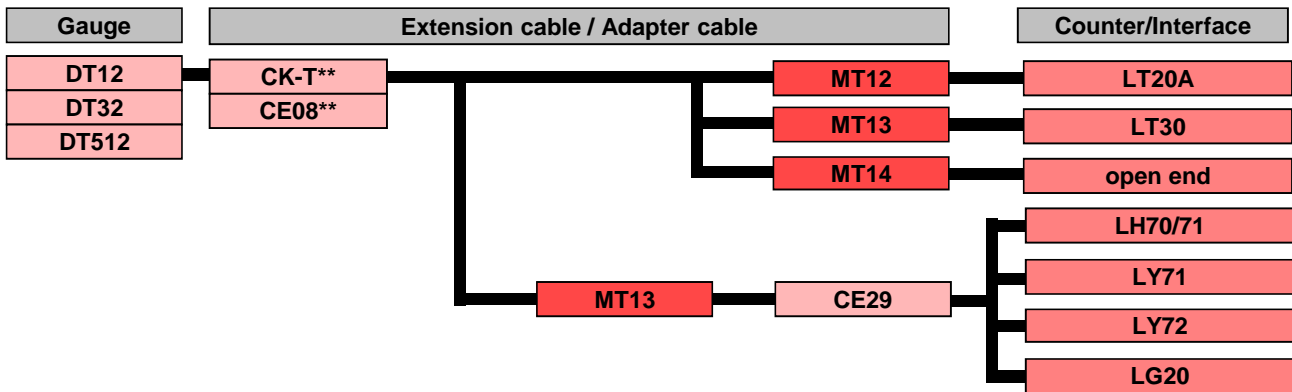
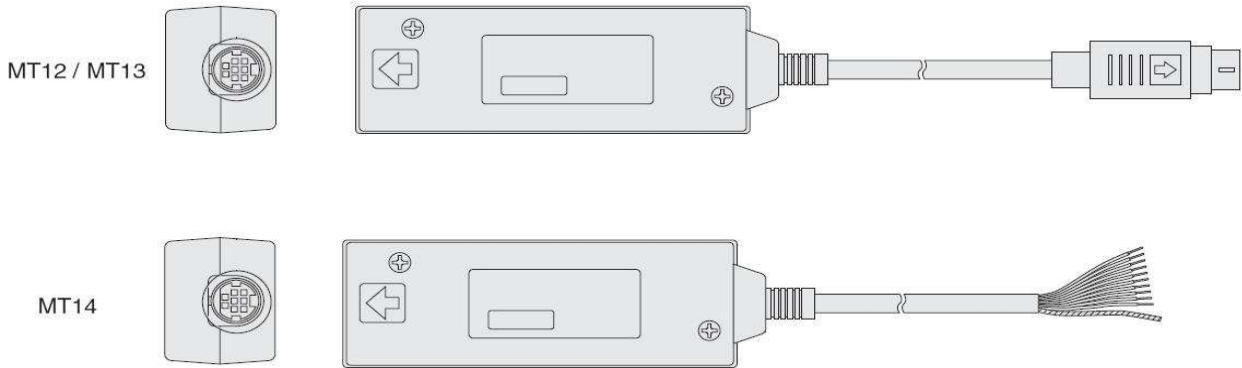


Product code	Product	Model	SRP
97924996	CK-T12	Extension cable 1m (High-flex cable)	72,00 €
97924997	CK-T13	Extension cable 3m (High-flex cable)	92,00 €
97924998	CK-T14	Extension cable 5m (High-flex cable)	114,00 €
97924999	CK-T15	Extension cable 10m (High-flex cable)	164,00 €
97930000	CK-T16	Extension cable 15m (High-flex cable)	300,00 €

Product code	Product	Model	SRP
97958805	CE08-01	Extension cable 1m (It is not suitable to use of moving parts)	49,00 €
97958801	CE08-03	Extension cable 3m (It is not suitable to use of moving parts)	68,00 €
97958802	CE08-05	Extension cable 5m (It is not suitable to use of moving parts)	89,00 €
97958803	CE08-10	Extension cable 10m (It is not suitable to use of moving parts)	139,00 €
97958804	CE08-15	Extension cable 15m (It is not suitable to use of moving parts)	188,00 €

# MT12/13/14 Series

# MT



Product code	Product	Type	SRP
97928766	MT12-05	5µm resolution - NPN open collector output	197,00 €
97928767	MT12-10	10µm resolution - NPN open collector output	184,00 €
97928768	MT13-01	1µm resolution - A/B phase output	254,00 €
97928769	MT13-05	5µm resolution - A/B phase output	197,00 €
97928770	MT13-10	10µm resolution - A/B phase output	184,00 €
97928771	MT14-01	1µm resolution - TTL (RS422) open end	254,00 €
97928772	MT14-05	5µm resolution - TTL (RS422) open end	197,00 €
97928773	MT14-10	10µm resolution - TTL (RS422) open end	184,00 €