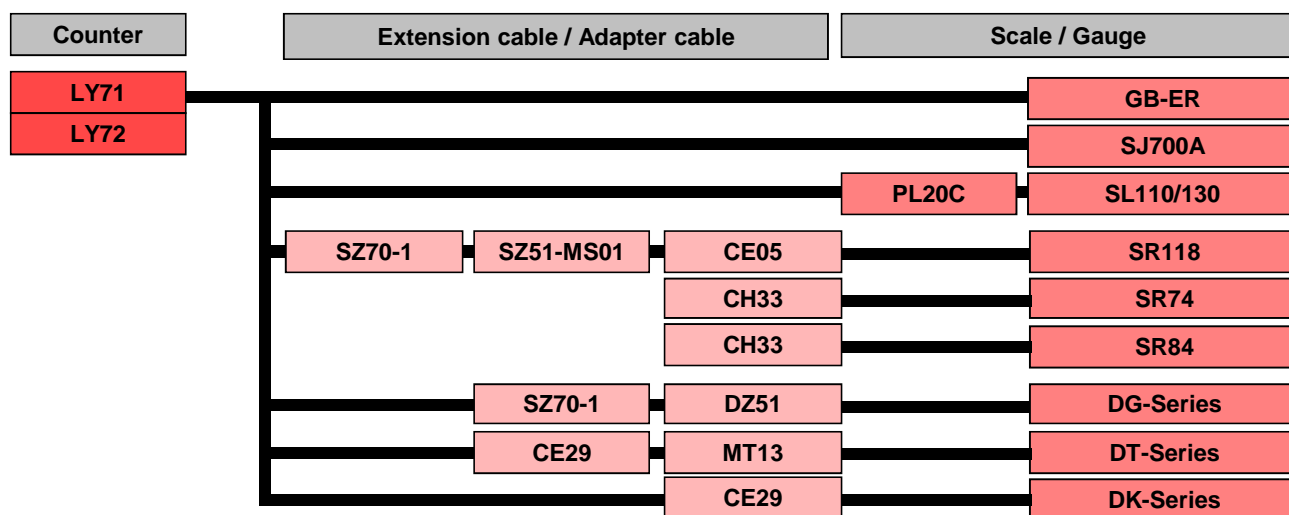
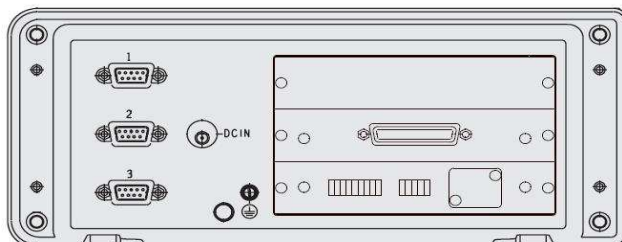
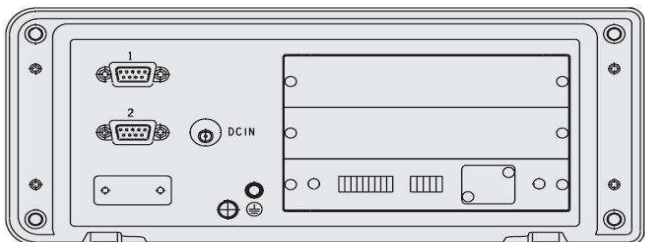
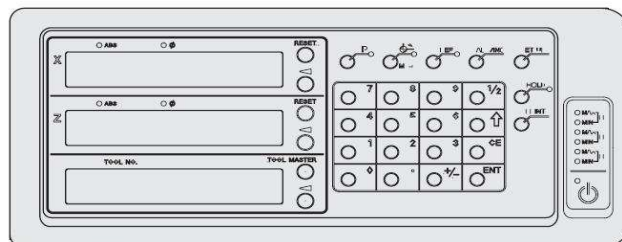
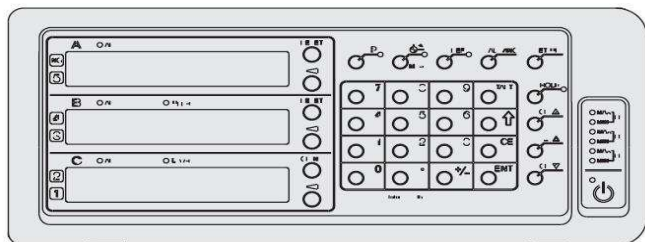


LY

LY71/72 Series

LY71

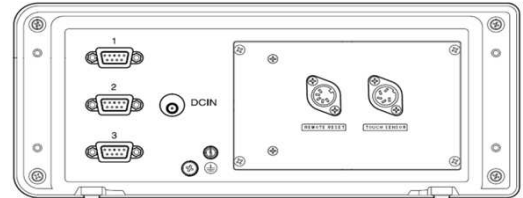
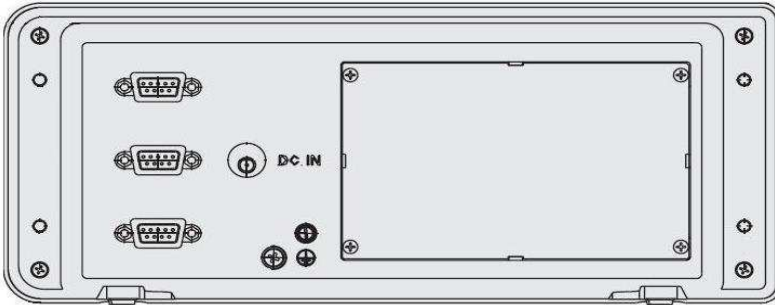
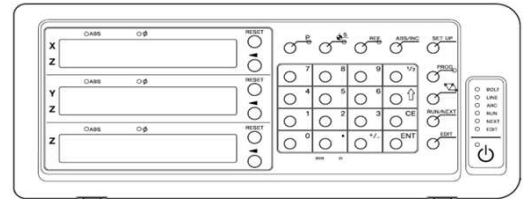
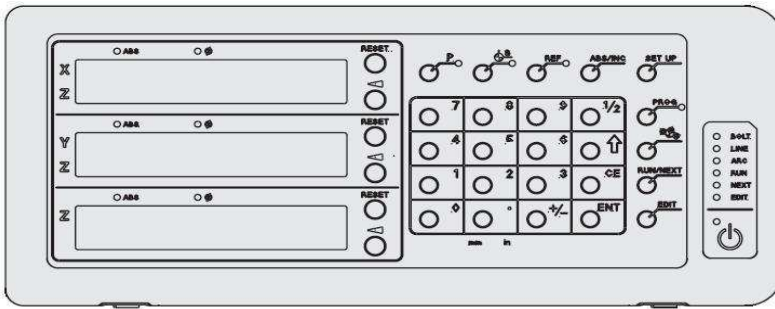
LY72



| Product code | Product | Type | SRP |
|--------------|---------|----------------------------------|----------|
| 97928722 | LY71 | Counter (2 axes) | 849,00 € |
| 97928724 | LZ71-B | BCD output board | 238,00 € |
| 97928725 | LZ71-KR | Comparator function output board | 346,00 € |
| 97900479 | PSC23 | Power supply | 44,00 € |

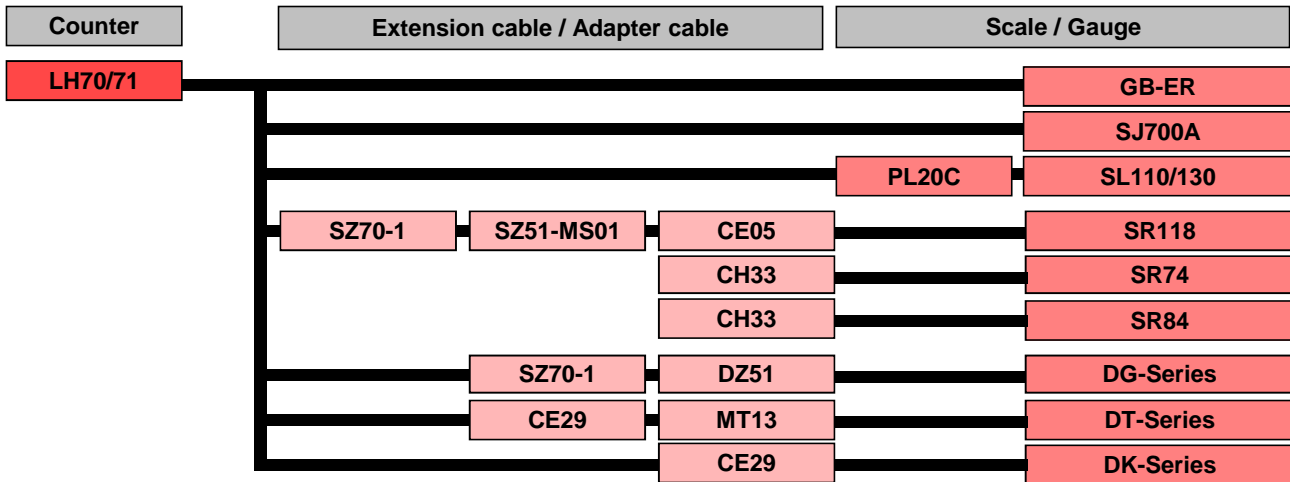
| Product code | Product | Type | SRP |
|--------------|---------|------------------------------------|------------|
| 97928723 | LY72 | Counter (3 axes) with RS232 output | 1.683,00 € |
| 97900479 | PSC23 | Power supply | 44,00 € |

| Special output board of the LY71 for replacing the LY51 | | | |
|---|-----------|---|-----|
| Product code | Product | Type | SRP |
| 97938787 | LZ71-HT01 | A/B phase output board | |
| 97938771 | LZ71-BT01 | BCD output board (to use 5V level output) | |



LH71A-3T01

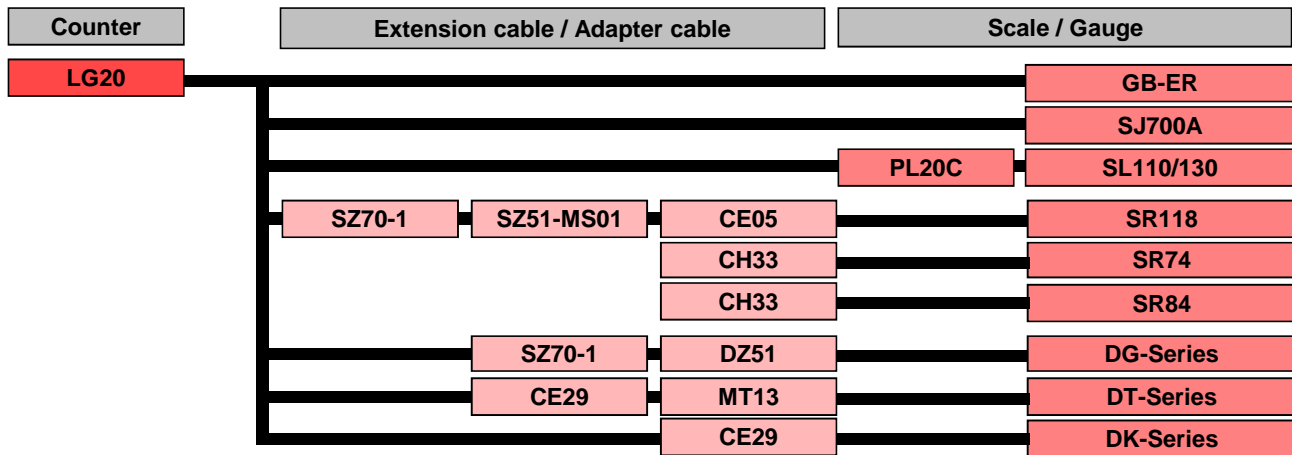
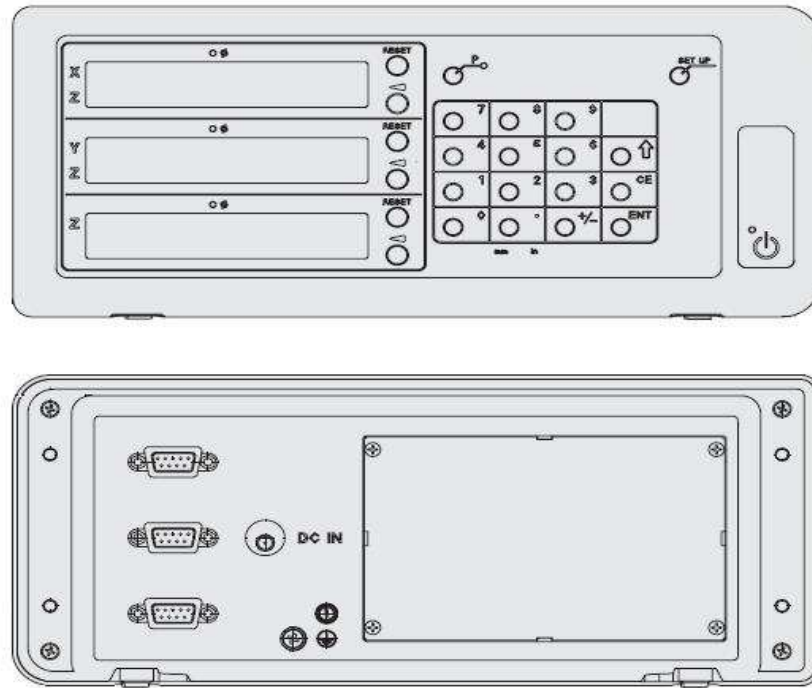
LH70 Series



| Product code | Product | Type | SRP |
|--------------|---------|------------------|----------|
| 97900447 | LH70-1 | Counter (1 axes) | 463,00 € |
| 97900448 | LH70-2 | Counter (2 axes) | 521,00 € |
| 97900449 | LH70-3 | Counter (3 axes) | 602,00 € |
| 97900479 | PSC23 | Power supply | 44,00 € |

| Product code | Product | Type | SRP |
|--------------|------------|---|----------|
| 97900450 | LH71-1 | Counter (1 axes) | 612,00 € |
| 97900451 | LH71-2 | Counter (2 axes) | 683,00 € |
| 97900452 | LH71-3 | Counter (3 axes) | 786,00 € |
| 97938751 | LH71A-3T01 | Counter (3 axes) with external reset and touch sensor function (TS series) | 921,00 € |
| 97900479 | PSC23 | Power supply | 44,00 € |

LG20



| Product code | Product | Type | SRP |
|--------------|---------|------------------|----------|
| 97928727 | LG20-1 | Counter (1 axes) | 440,00 € |
| 97928728 | LG20-2 | Counter (2 axes) | 487,00 € |
| 97928729 | LG20-3 | Counter (3 axes) | 567,00 € |
| 97900479 | PSC23 | Power supply | 44,00 € |