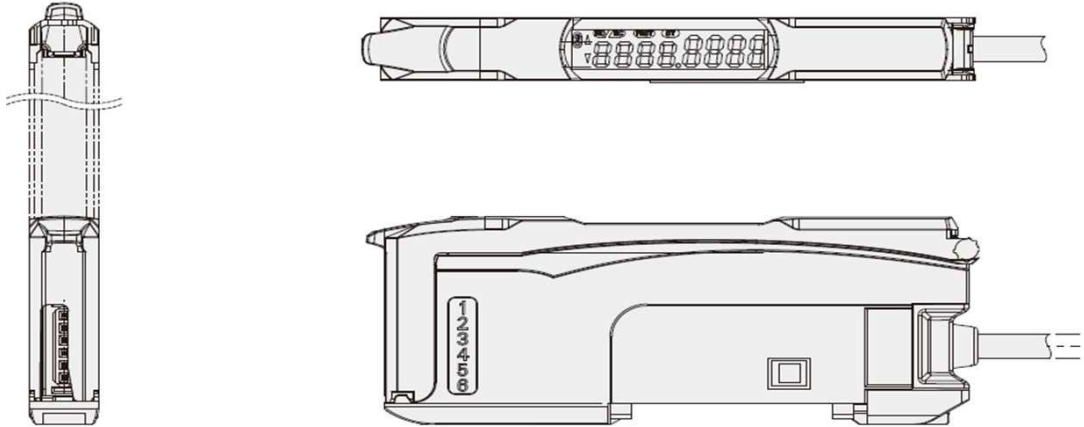
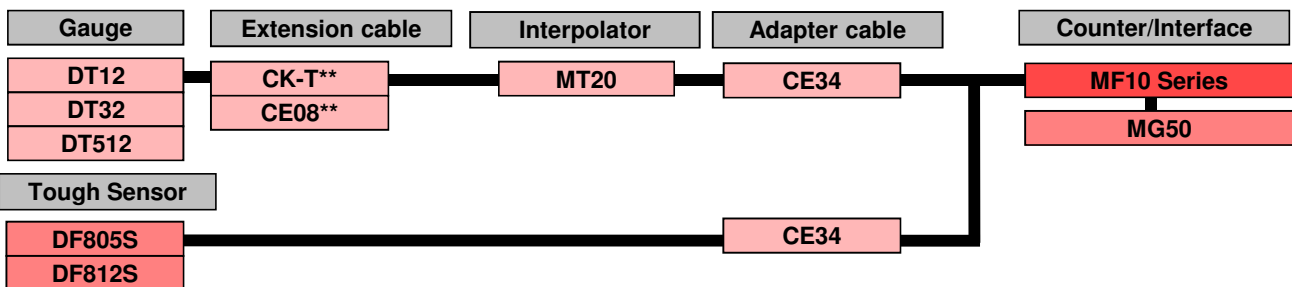
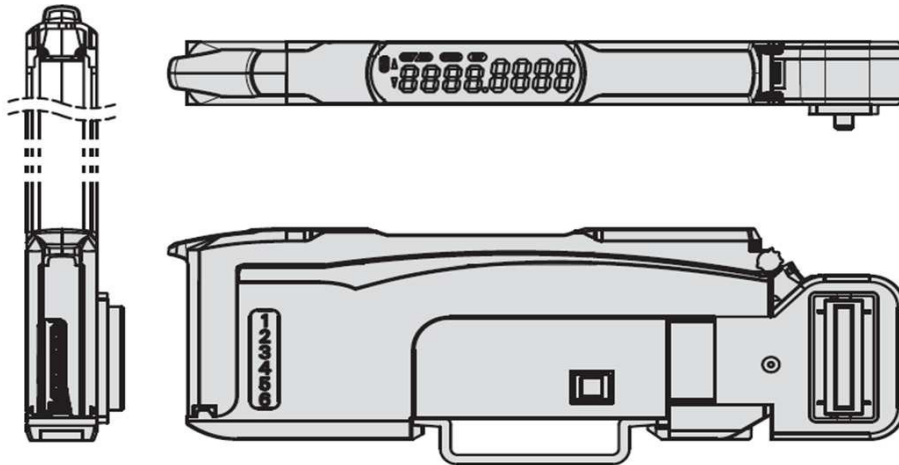


		Fieldbus interface (EtherCAT and CC Link V2)	
Product code	Product	Type	SRP
97929986	MG50-EC	Fieldbus interface unit for EtherCAT	267,00 €
97929987	MG50-CL	Fieldbus interface unit for CC Link V2	333,00 €
97929988	MG51	Distribution module for MG50 series	84,00 €

MF10-P1/2



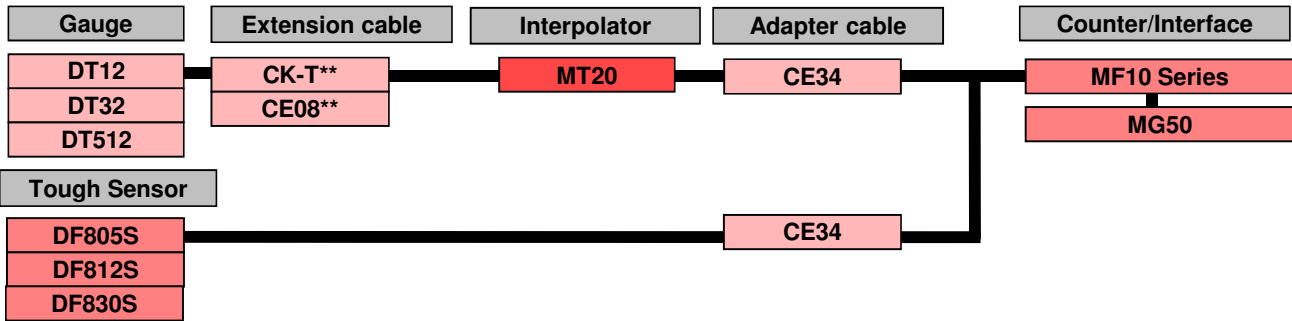
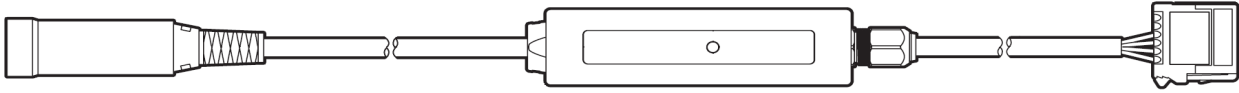
MF10-CM



Digital Tolerance Indicator for the DF800S Sensor			
Product code	Product	Model	SRP
97929923	MF10-P1	Digital Tolerance Indicator (negative logic)	220,00 €
97929924	MF10-P2	Digital Tolerance Indicator (positive logic)	220,00 €
97929989	MF10-CM	Counter Module for MG50/MG51	259,00 €

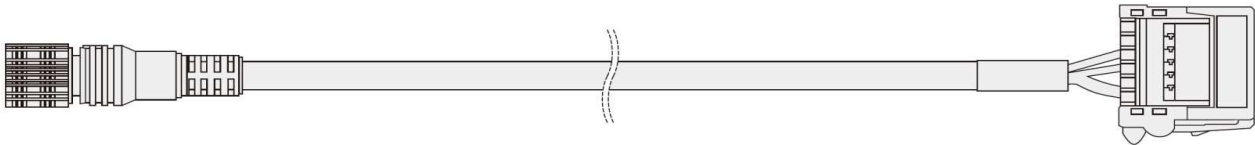
MT

MT20 Series / CE34 Cable

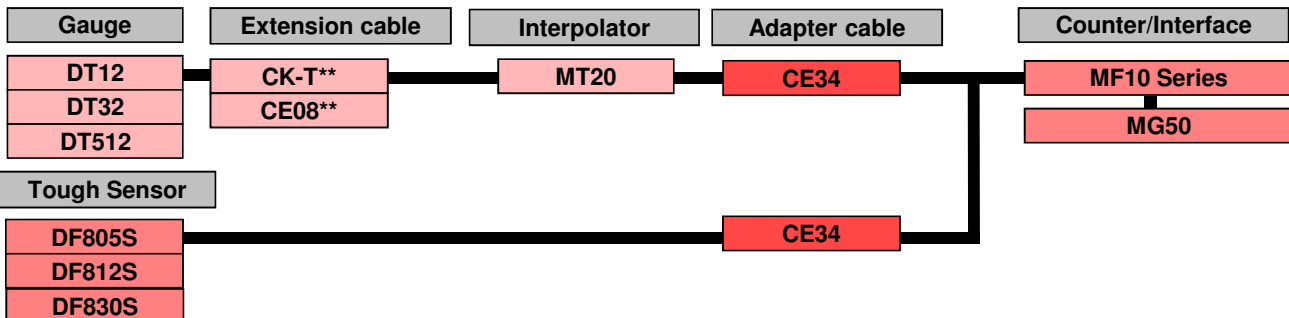


Interpolator to connect DT series to MF10 series

Product code	Product	Type	SRP
97929990	MT20-01	Interpolator with 1µm resolution DT512	199,00 €
97929991	MT20-05	Interpolator with 5µm resolution DT12/32	158,00 €



CE34

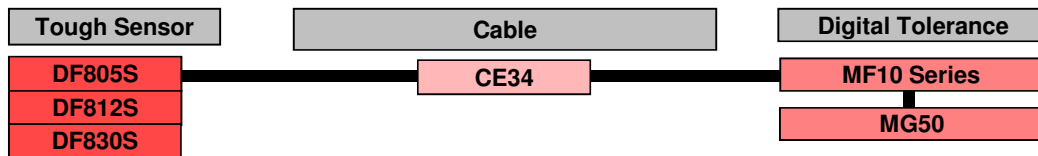
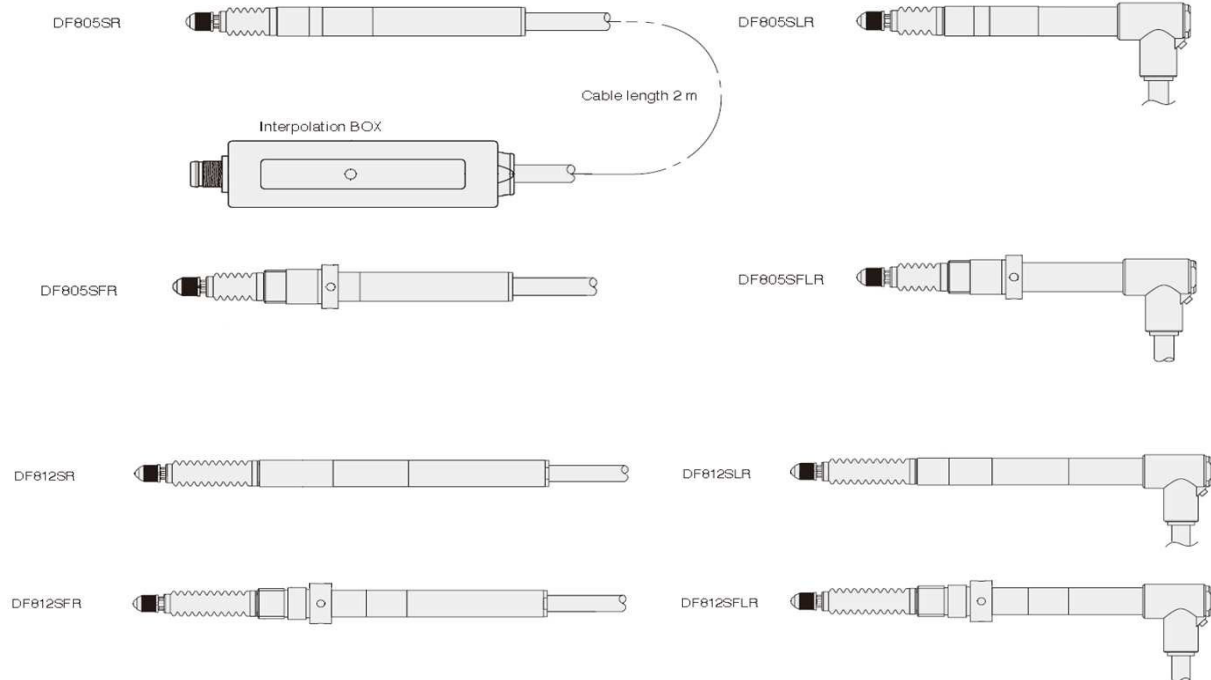


Cable between Sensor / MT20 and MF10 Series

Product code	Product	Model	SRP
97929925	CE34-005	0.5m Cable to connect to MF10	42,00 €
97929926	CE34-02	2m Cable to connect to MF10	62,00 €
97929927	CE34-05	5m Cable to connect to MF10	82,00 €
97929928	CE34-10	10m Cable to connect to MF10	113,00 €
97929929	CE34-15	15m Cable to connect to MF10	154,00 €
97929930	CE34-20	20m Cable to connect to MF10	185,00 €

DF

DF805S/812S Series



Resolution: 0,1µm Accuracy: 1µm p-p Max response speed 80m/min Measuring length: 5mm

Product code	Product	Model	SRP
97929915	DF805SR	Straight type	690,00 €
97929916	DF805SLR	Angle type	726,00 €
97929917	DF805SFR	Flange / Straight type	726,00 €
97929918	DF805SFLR	Flange / Angle type	759,00 €

Resolution: 0,1µm Accuracy: 1µm p-p Max response speed 80m/min Measuring length: 12mm

Product code	Product	Model	SRP
97929919	DF812SR	Straight type	714,00 €
97929920	DF812SLR	Angle type	750,00 €
97929921	DF812SFR	Flange / Straight type	750,00 €
97929922	DF812SFLR	Flange / Angle type	783,00 €

Resolution: 0,1µm Accuracy: 1µm p-p Max response speed 80m/min Measuring length: 30mm

Product code	Product	Model	SRP
	DF830SVR	Pneumatic push / Right angel	1.227,00 €