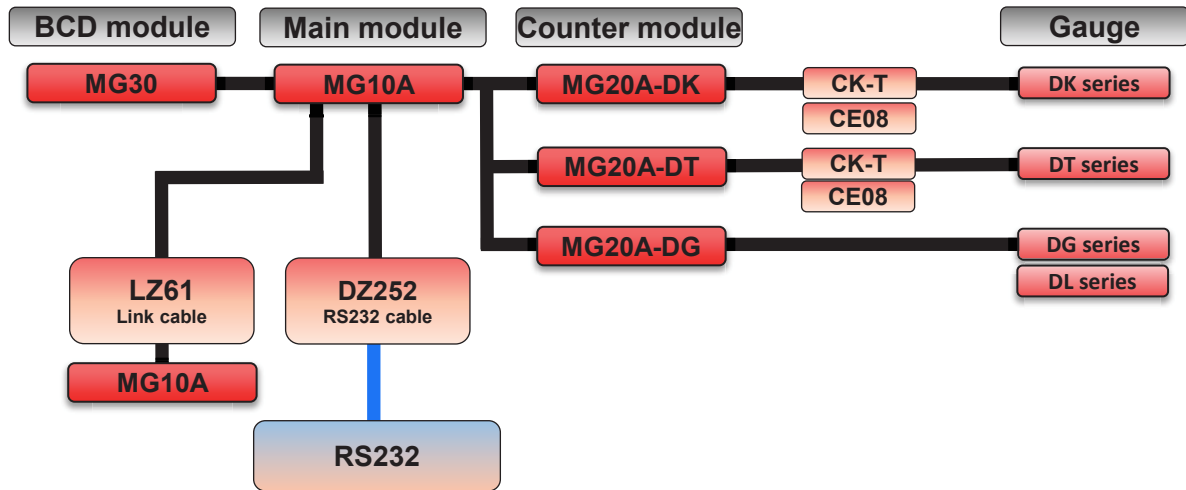
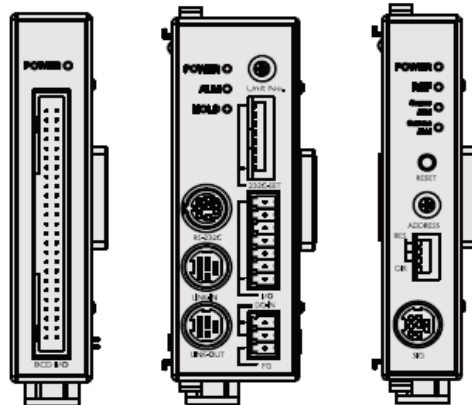


# Digital Gauge

## MG10A/20A/30



Product code	Product name	Model	SRP
97960992	<b>MG10A-P1</b>	MG10A-P1 Main Module RS232 (NPN)	325,00 €
97960993	<b>MG10A-P2</b>	MG10A-P2 Main Module RS232 (PNP)	325,00 €
Product code	Product name	Model	SRP
97960995	<b>MG20A-DG</b>	MG20A-DG Counter Module for DG series	213,00 €
97960994	<b>MG20A-DK</b>	MG20A-DK Counter Module for DK series	213,00 €
97960996	<b>MG20A-DT</b>	MG20A-DT Counter Module for DT series	266,00 €
Product code	Product name	Model	SRP
97900492	<b>MG30-B1</b>	MG30-B1 Interface Module (NPN)	300,00 €
97900493	<b>MG30-B2</b>	MG30-B2 Interface Module (PNP)	300,00 €
Product code	Product name	Model	SRP
97973401	<b>LZ61</b>	LZ61 Link cable for MG10	45,00 €
97920357	<b>DZ252</b>	DZ252 Serial communication cable	97,00 €

## MG10A/20A/30 series

Price list 2022